

Fans For Long Run.

Industrial, Commercial
And Residential

HVAC Made Easy.



mim.com.co

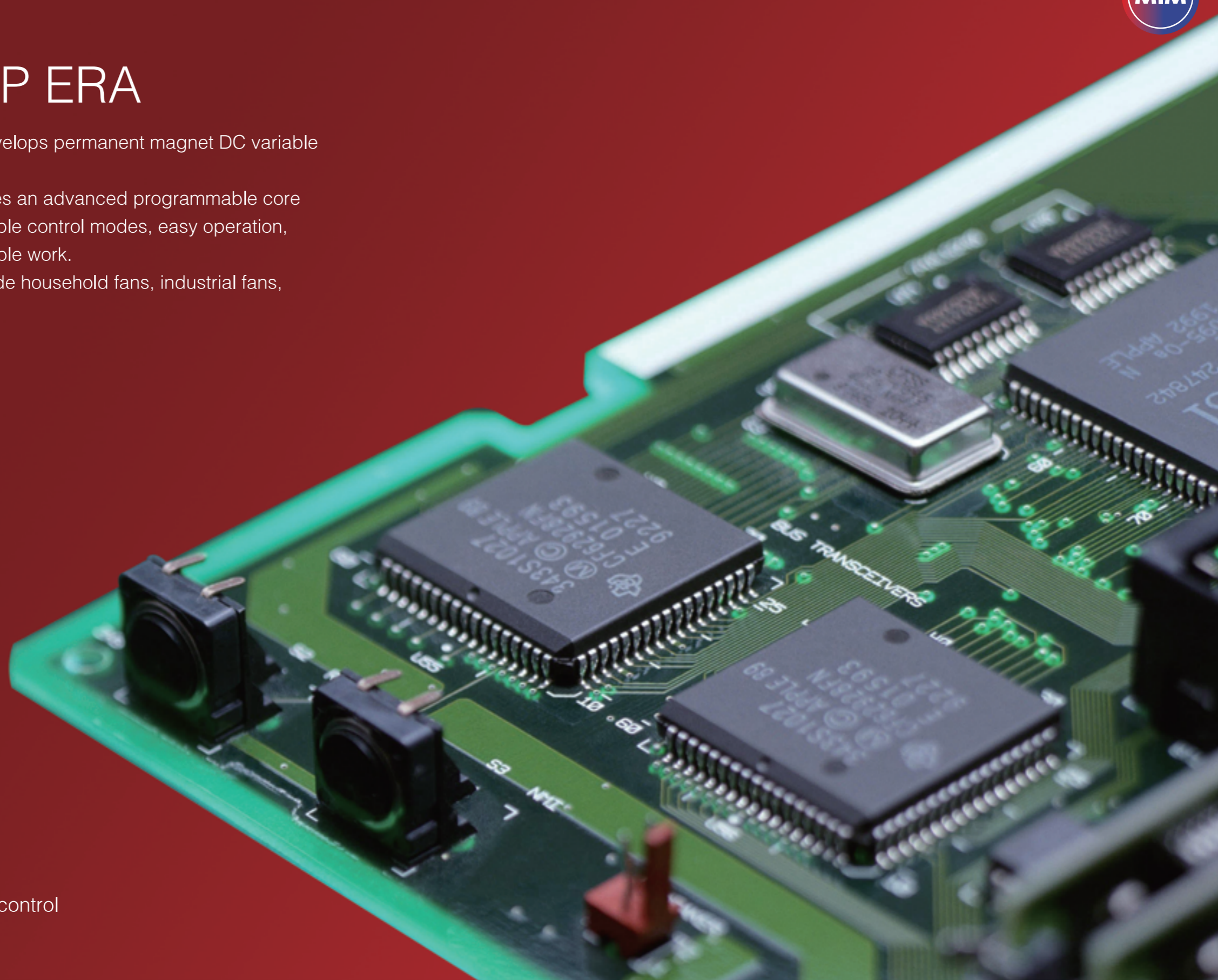


SMART CHIP ERA

Our company independently develops permanent magnet DC variable frequency brushless motors.

The controller of this product uses an advanced programmable core microprocessor, integrates multiple control modes, easy operation, advanced performance, and stable work.

Now widely used products include household fans, industrial fans, axial fans, etc.



Patent smart chip, Intelligent control

BRUSHLESS DC INDUSTRIAL FAN

Permanent Magnet Brushless DC Motor

Dust proof \ Smoke Proof \ Energy Saving \ Fully Sealed Motor



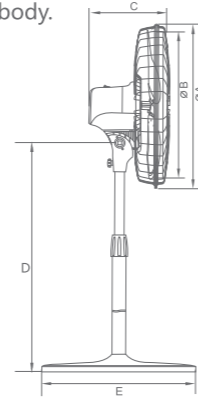


BLDC Commercial Fan



MNT-G18 Series Product Features:

- BLDC motor: saving 40% to 80% electricity.
- Streamlined 6 PP blades, with large air volume and soft air supply.
- Overload + overheat motor protection.
- Quiet performance.
- Smallest power is 3.8W.
- Step-less speed control on the fan body.
- Remote control is optional.
- Adjustable stand rod the overall height from 106cm to 135cm.

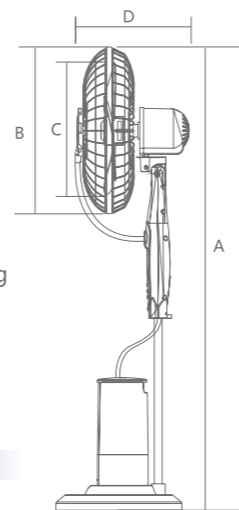


Outline dimensions

Model	Size	Voltage (V/Hz)	Power (W)	Speed (r/min)	Air Volume (m ³ /h)	Product Size (mm)					Weight (kg)
						A	B	C	D	E	
MNT-G18	18 inch	220~240/50~60	3.8~85	500~1200	380~4500	510	450	300	860	470	9.5

MNT-P18 Series Product Features:

- BLDC motor: saving 40% to 80% electricity.
- Streamlined 7 PP blades, with large air volume and soft air supply.
- Heavy round base for stability
- Up to 8 hours mist on a full tank
- Humidifier automatically switches off when water runs hot
- Humidifier and fan can be used independently or together
- Mist fan be used for cooling. Increasing the humidity and removing dust.



Outline dimensions

Model	Size	Voltage (V/Hz)	Power (W)	Speed (r/min)	Capacity (L)	Air Volume (m ³ /h)	Product Size (mm)				Weight (kg)
							A	B	C	D	
MNT-P18	18 inch	220~240/50~60	5.4~75	490~1370	4.5	380~4500	1310	500	450	300	6.9



2024 New design

16-inch household BLDC stand fan



Magnetic remote control

The fan speed can reach **2100 rpm**
Touch screen control
9 speeds control
The air volume can cover **15 meters**

Smallest power is **5W**

Overload Protection
Overheat Protection

Model	Size	Voltage (V/Hz)	Power (W)	Speed (r/min)	Air Volume (m ³ /h)	Height (cm)	Weight (kg)
MNT-M16	16 inch	220~240/50~60	5~70	550~2100	330~4200	130	5.85

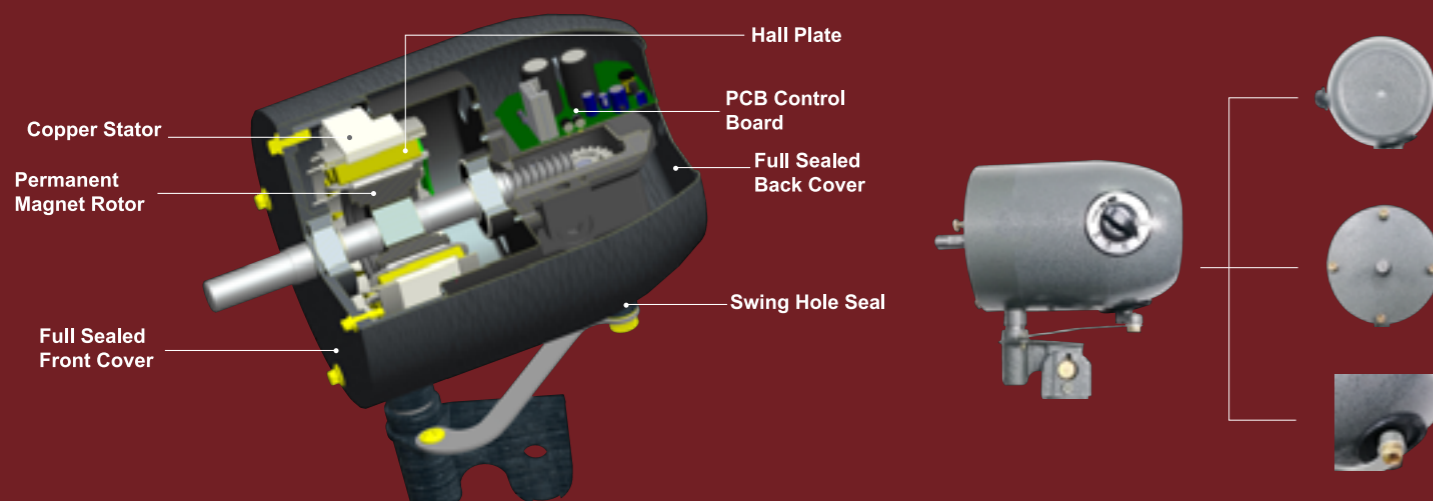


BLDC POWERFUL INDUSTRIAL FAN

INDUSTRIAL FAN BRUSHLESS DC MOTOR

A MOTOR WITH BRAIN
 Patent Chip Technology
 12-pole precision stator
 Multi-pole permanent magnet rotor
 High voltage DC intelligent chip
 Digital disguise, multi-pole synchronization

FULL SEALED MOTOR



Digital disguise multi-level synchronization



12-pole precision stator



Imported multi-pole permanent magnet rotor



High Voltage DC intelligent chip

1. Wide range voltage operation 180V~260V. Stable operation in the unstable voltage condition.
2. Independent development of chip technology, built-in anti-burn protection device, complete dipping process, make the motor life longer.
3. Finished permanent magnet rotor can reduce noise and vibration when the motor is in use.
4. The built-in bridge rectifier converts AC power into DC power, which is stable for a long time, and the gear shift is smooth.
5. The pure copper wire is directly wound on the stator with a reasonable winding method to reduce errors and more precise
6. Large air volume blade: the big angle of blade, makes the air volume stronger.
7. With the intelligent power supply system, fan is enable to avoid burning out within 24 hours even happens to accidental motor stuck.
8. Power saving: from 50% to 80% saving the electricity



BLDC Industrial Fan



MNT-E50 / 65 / 75
(20" 26" 30")

MNT-C50 / 65 / 75
(20" 26" 30")

MNT Series Product Features:

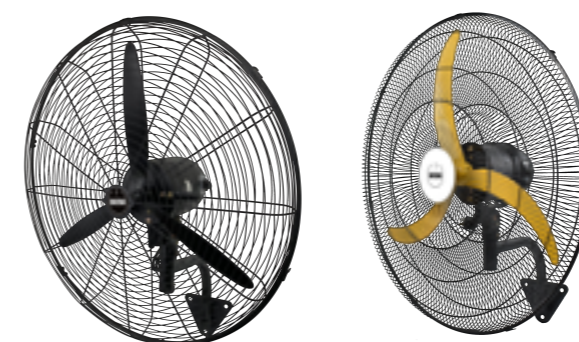
- BLDC motor: saving 40% to 80% electricity.
- Fully Sealed motor: dust proof, smoke proof, outdoor use.
- 4 speeds control: 700rpm to 1400rpm.
- Overload and overheat protection: the motor won't be burnt.
- Wide range voltage operation 180v~260v. Stable operation in the unstable voltage condition.

MNT-E series: Economic model.

Aluminum blade + non-adjustable stand rod + 3.5kgs round base.
 More favorable price equipped with good and stable quality.

MNT-C series: Standard model.

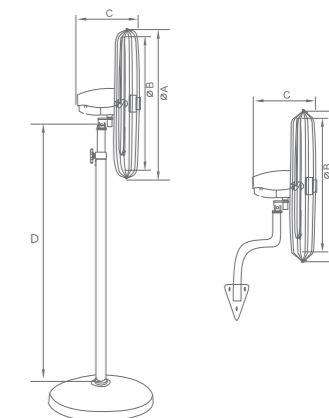
Yellow curved blades + non-adjustable stand rod + 6kgs round base.
 Equipped with larger air volume and lower noise



MNT-EW50 / 65 / 75
(20" 26" 30")

MNT-CW50 / 65 / 75
(20" 26" 30")

Outline dimensions



Model	Size	Voltage (V/Hz)	Power (W)	Speed (r/min)	Air Volume (m ³ /h)	Product Size (mm)				Weight (kg)
						A	B	C	D	
MNT-E50	20 inch	220~240/50~60	20~50	700~1400	1100~5500	560	500	360	1050	11
MNT-EW50						560	500	360		6
MNT-E65	26 inch	220~240/50~60	20~70	700~1400	1600~8000	715	650	360	1050	12
MNT-EW65						715	650	360		7
MNT-E75	30 inch	220~240/50~60	20~90	700~1400	1900~9500	815	750	360	1050	13
MNT-EW75						815	750	360		8
MNT-C50	20 inch	220~240/50~60	20~55	700~1400	1300~6500	560	500	360	1050	13
MNT-CW50						560	500	360		8
MNT-C65	26 inch	220~240/50~60	20~95	700~1350	1900~9500	715	650	360	1050	14
MNT-CW65						715	650	360		9
MNT-C75	30 inch	220~240/50~60	20~130	700~1280	2200~11000	815	750	360	1050	15
MNT-CW75						815	750	360		10

BLDC Industrial Fan



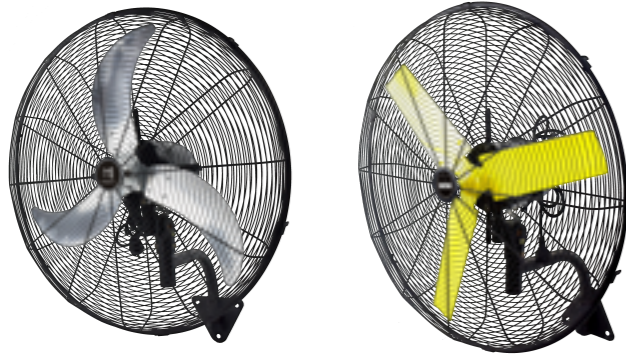
MNT-65 / 75
(26" 30")

MNT-65 / 75
(26" 30")

MNT-60I / 65I / 75I / 85I
(24" 26" 30" 36")

MNT Series Product Features:

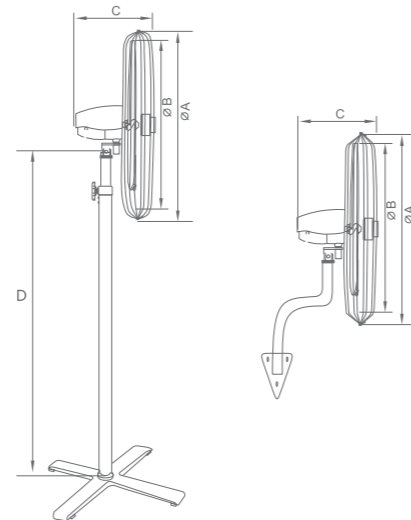
- BLDC motor: saving 40% to 80% electricity.
- Fully Sealed motor: dust proof, smoke proof, outdoor use.
- 4 speeds control: 700rpm to 1400rpm.
- Overload and overheat protection: the motor won't be burnt.
- Wide range voltage operation 180v~260v. stable operation in the unstable voltage condition.



MNT-W65 / 75
(26" 30")

MNT-W60I / 65I / 75I / 85I
(24" 26" 30" 36")

Outline dimensions



Size	Voltage (V/Hz)	Power (W)	Speed (r/min)	Air Volume (m ³ /h)	Product Size (mm)				Weight (kg)
					A	B	C	D	
24 inch	220~240/50~60	20~113	700~1400	2200~11000	665	600	360	1350	15
					665	600	360		9
26 inch	220~240/50~60	20~125	700~1350	2400~12000	715	650	360	1350	16
					715	650	360		10
30 inch	220~240/50~60	20~130	700~1280	2700~13500	815	750	360	1350	17
					815	750	360		11
36 inch	220~240/50~60	20~260	600~1200	4500~21000	915	850	400	1350	19
					915	850	400		13

BLDC Industrial Fan



MNT-50F/60F/65F/75F
(20" 24" 26" 30")

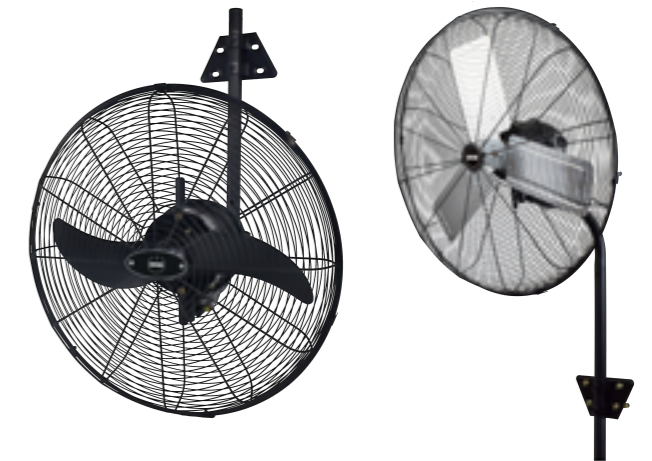
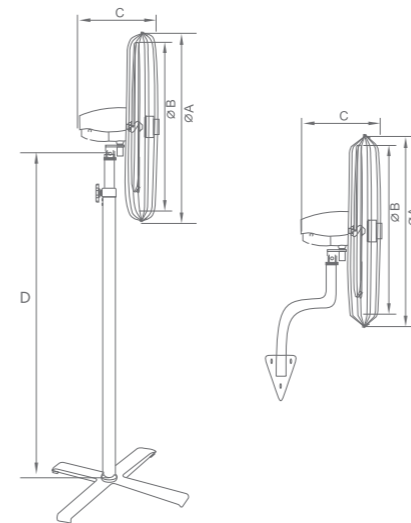
MNT-50G/65G/75G
(20" 26" 30")

MNT-50H/65H/75H
(20" 26" 30")

MNT Series Product Features:

- BLDC motor: saving 40% to 80% electricity.
- Fully Sealed motor: dust proof, smoke proof, outdoor use.
- 4 speeds control: 700rpm to 1400rpm.
- Overload and overheat protection: the motor won't be burnt.
- Wide range voltage operation 180v~260v. stable operation in the unstable voltage condition.

Outline dimensions



MNT-W50F/60F/65F/75F
(20" 24" 26" 30")

MNT-W50H/60H/65H/75H
(20" 24" 26" 30")

Size	Voltage (V/Hz)	Power (W)	Speed (r/min)	Air Volume (m ³ /h)	Product Size (mm)				Weight (kg)
					A	B	C	D	
20 inch	220~240/50~60	20~63	700~1400	1700~8500	560	500	360	1350	14
					560	500	360		8
24 inch	220~240/50~60	20~113	700~1400	2200~11000	665	600	360	1350	15
					665	600	360		9
26 inch	220~240/50~60	20~125	700~1350	2400~12000	715	650	360	1350	16
					715	650	360		10
30 inch	220~240/50~60	20~130	700~1280	2700~13500	815	750	360	1350	17
					815	750	360		11

BLDC Industrial Mist Fan



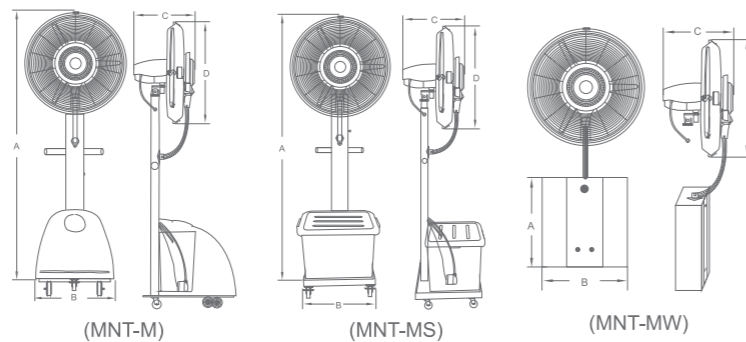
MNT-M Series Product Features:

- BLDC motor: saving 40% to 80% electricity.
- Fully Sealed motor: dust proof, smoke proof, outdoor use.
- 4 speeds control: 700rpm to 1350rpm.
- Aluminum blades equipped with the motor for the perfect balance and bigger air volume
- High-density & high-quality thick metal grill with easy buckle to lock.
- Water tank capacity : 42L for square water tank 60L for round pot.
- The adjustable height stand rod is optional.
- Widely used in the general environment of the factory, workshops, warehouses, basements etc, for ventilation and improving environment.



Fully Sealed Brushless DC Motor with chip

Outline dimensions



Model	Size	Voltage (V/Hz)	Power (W)	Speed (r/min)	Capacity (L)	Air Volume (m ³ /h)	Product Size (mm)				Weight (kg)
							A	B	C	D	
MNT-M26	26 inch	220~240/50~60	100~175	700~1350	60	1900~9500	1750	450	370	715	27.8
MNT-M30	30 inch	220~240/50~60	100~210	700~1280	60	2200~11000	1800	450	370	815	28.8
MNT-MS26	26 inch	220~240/50~60	100~175	700~1350	42	1900~9500	1750	450	370	715	22.0
MNT-MS30	30 inch	220~240/50~60	100~210	700~1280	42	2200~11000	1800	450	370	815	23.0
MNT-MW26	26 inch	220~240/50~60	100~175	700~1350	12	1900~9500	450	350	370	715	15.5
MNT-MW30	30 inch	220~240/50~60	100~210	700~1280	12	2200~11000	450	350	370	815	16.0

BLDC Commercial Floor Fan

MNT-FL Series Product Features:

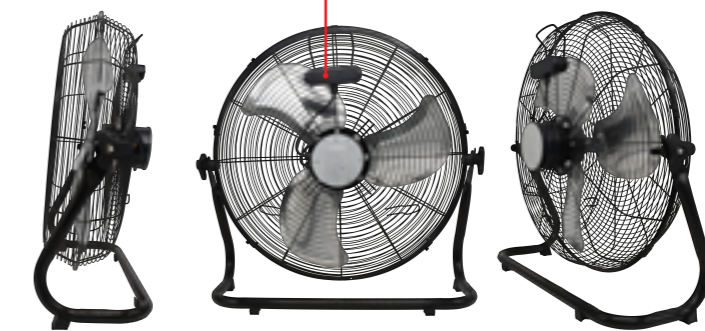
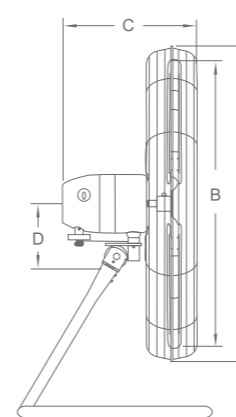
- BLDC motor: saving 40% to 80% electricity.
- 100% copper wire coil, and double ball bearing motor.
- Streamlined three aluminum blade, low noise, big air volume and soft wind.
- Three adjustable speeds, pitch angle adjustable, easy to use.
- Black color is optional.
- It is the ideal choice for ventilation and cooling at home or in offices, hotels, shopping malls and more.



Touch Screen



Outline dimensions



Model	Size	Voltage (V/Hz)	Power (W)	Speed (r/min)	Air Volume (m ³ /h)	Product Size (mm)				Weight (kg)
						A	B	C	D	
MNT-FL400	16 inch	220~240/50~60	10~65	600~1400	2800	460	400	290	155	4.2
MNT-FL450	18 inch	220~240/50~60	10~90	600~1400	4550	510	450	290	155	5.2
MNT-FL500	20 inch	220~240/50~60	10~100	600~1400	4750	560	500	290	155	6.5

NEW DESIGN

BRUSHLESS DC AXIAL FAN

FREQUENCY SPEED CONTROL

MORE AIR VOLUME
LARGE ANGLE FAN BLADE
SMOOTH AND LOW NOISE
ANTI-BURN MACHINE

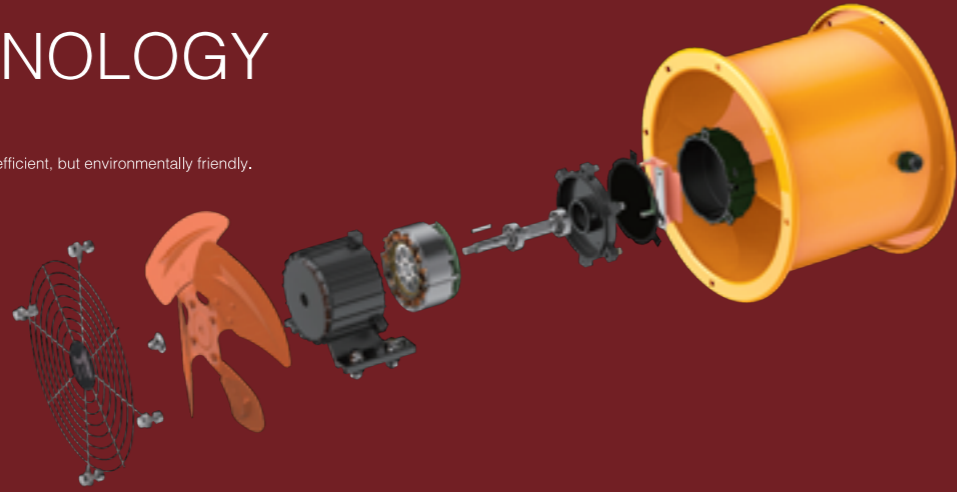


ENERGY SAVING LOW NOISE BRUSHLESS DC AXIAL FAN

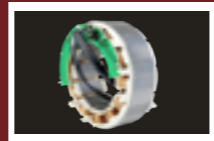
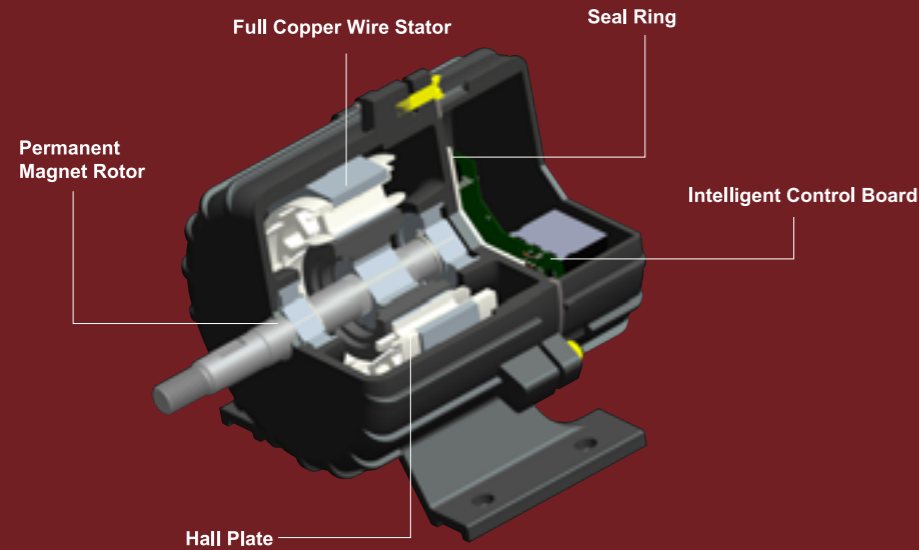
Intelligent chip control board, fully sealed design, stable operation, 50% power saving

DC TECHNOLOGY

Chip Driven Intelligent Control making high-power fan, more energy-efficient, but environmentally friendly.



AXIAL FAN BRUSHLESS DC MOTOR



High quality copper enameled wire 12-pole automatic precision winding
Small heat, small gap, multi-pole energization, high magnetic density
More stable operation,
Small heat,
Low noise,
High torque.



The advanced magnetic powder high-density plasticization technology
achieving clear magnetic poles
high magnetic density and good balance,
Less loss,
fast response,
low vibration,
high speed

Fully sealed DC motor, Stable operation, 50% power saving.

Frequency control: the speed could be from 700rpm to 2800rpm.

Power saving: from 50% to 80% saving the electricity

Dustproof and rainproof: Due to fully sealed motor, it is dustproof, rainproof, smoke-proof.

With the intelligent power supply system, fan is enable to avoid burning out within 24 hours even happens to accidental motor stuck.

Overload protection: Overload operation for 24 hours without burning.

High-tech permanent magnet rotor, bigger torque and more stable operation.

Large air volume blade: the big angle of blade, makes the air volume stronger.

Wide range voltage: the working voltage is 160V~260V, it is suitable for the unstable voltage area.



Stepless speed control



Energy saving



Safe without burning



Increase air volume



Frequency control



Dust proof Moisture-proof



Silent comfort



Multiple protection

2024 New Design Large air volume Brushless DC Axial Fan

Permanent Magnet Brushless Motor
Super Power Saving

touch screen Speed Control

Overheat Protection
Overload Protection
Smokeproof
Dustproof



Model	Voltage (V/Hz)	Frequency (Hz)	Power (W)	Speed (r/min)	Air Volume (m ³ /h)	pcs/ctn	Weight (kg)
MNT-D40F	220~240	50~60	35~500	580~2150	4000~10500	1	16

BLDC High Speed Exhaust Fan



MNT-H30/40 Series Product Features:

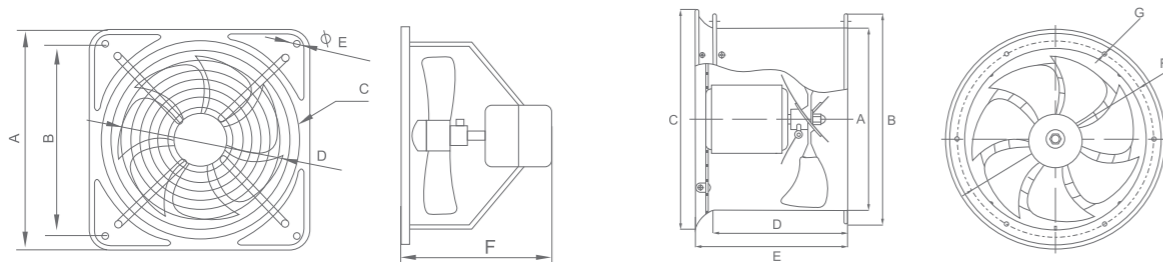
- BLDC motor: saving 40% to 80% electricity.
- 100% copper wire motor for good conductivity.
- Double ball bearing and fully sealed motor for long lifespan.
- Special angel blades with high speed motor for large air volume.
- Eco-friendly material painting, no poison, no harm, and no smell.
- Flexible front net cover design, easy remove for cleaning.
- Automatically open and close back safety guard.
- Optionally install the front panel.
- Widely used in kitchen, restaurant and warehouse etc, for ventilation and improving environment.



MNT-D30/40E Series Product Features:

- BLDC motor: saving 40% to 80% electricity.
- The fan adopts special designed aluminium alloy blade.
- The speed is 2800RPM.
- PVC ducting hose is optional.
- Suitable for exhausting gas of the welding workshop, drying the ground after clean and the occasion where the air is not in circulation.

Outline dimensions

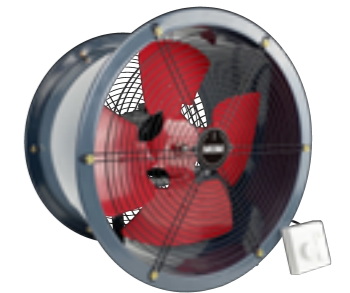
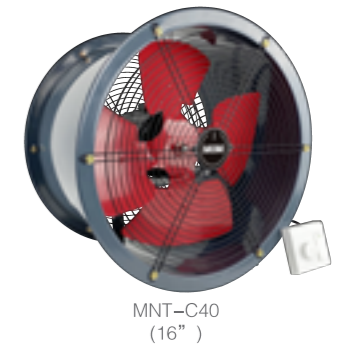
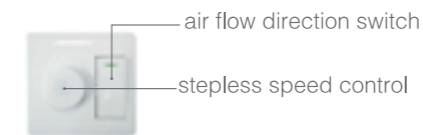


Model	Size (mm)	Voltage (V/Hz)	Power (W)	Speed (r/min)	Air Volume (m ³ /h)	Product Size (mm)							Weight (kg)
						A	B	C	D	E	F	G	
MNT-H30	12	220~240/50~60	10~120	650~2800	200~3600	355	302	316	300	12	155		3.25
MNT-H40	16	220~240/50~60	10~220	450~2800	200~6000	480	378	420	400	12	220		4.55
MNT-D30E	12	220~240/50~60	10~120	700~2800	200~3600	310	360	375	230	260	335	6~7	4.35
MNT-D40E	16	220~240/50~60	10~220	700~2800	200~3600	410	460	480	260	310	435	8~9	5.75

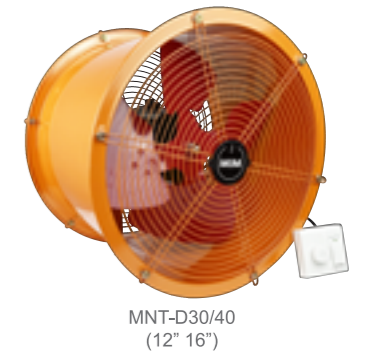
BLDC Industrial Axial Fan

MNT-C BLDC Two Way Exhaust Flow Fan Product Features:

Two way exhaust axial fan, it is based on the permanent magnet DC motor axial fan, the size is 400mm, and it is with a speed controller from the speed 600rpm to 1400rpm. Meanwhile, the switch could change the air flow direction. It can be a blower and an extractor at the same time.



MNT-A30/40/50
(12" 16" 20")

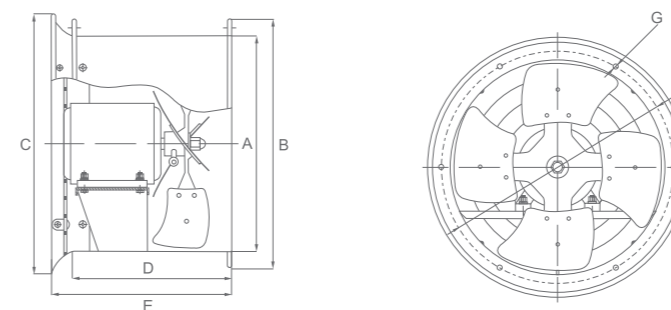


MNT-D30/40
(12" 16")



large angle and wide blade,
bigger air pressure, larger air volume

Outline dimensions



MNT-A50+
(20")

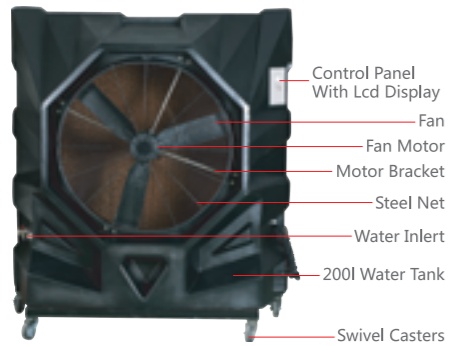
Model	Size (mm)	Voltage (V/Hz)	Power (W)	Speed (r/min)	Air Volume (m ³ /h)	Product Size (mm)							Weight (kg)
						A	B	C	D	E	F	G	
MNT-C40	400	220~240/50~60	30~200	600~1400	600~4800	410	460	480	260	310	435	8~9	12.0
MNT-A30	300	220~240/50~60	50	1400	3000	310	360	375	230	260	335	6~7	10.4
MNT-A40	400	220~240/50~60	30~280	600~1400	600~6000	410	460	480	260	310	435	8~9	12.4
MNT-A50	500	220~240/50~60	35~300	600~1400	4000~10000	510	560	595	260	310	535	8~9	15
MNT-D30	300	220~240/50~60	30~220	600~2800	1300~5000	310	360	375	230	260	335	6~7	10.0
MNT-D40	400	220~240/50~60	30~350	700~2800	4000~11000	410	460	480	260	310	435	8~9	12.7
MNT-A50+	500	220~240/50~60	35~300	600~1400	4000~10000	510	560	595	260	310	535	8~9	22.4

Evaporative Air Cooler Fan

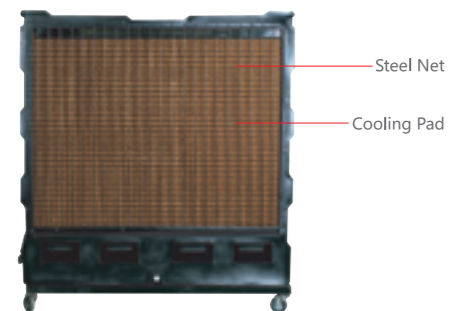


MNT/505/30F Series Product Features:

- The cooler is a high-tech product, showing simplicity and outstanding reliability, due to its European design origin.
- Its working principle is that water evaporation uses up the surrounding heat and causes the temperature to cool down.
- When water is continuously distributed onto the cooling pad surface, the air being drawn through the pad causes the water to evaporate, making the air cooler and fresher.
- The circulating water moves down to the reservoir, where it is again pumped up by the water pump. If the hose option is being used (supplied as standard), a float valve keeps the reservoir full continuously. If filled manually, the big 100 Litre capacity reservoir ensures hours of uninterrupted operation. There is a digital level indicator to quickly check the amount of water remaining.
- This cooler is currently being used in many different industries and applied in many countries.



- Control Panel With Lcd Display
- Fan
- Fan Motor
- Motor Bracket
- Steel Net
- Water Inlet
- 200L Water Tank
- Swivel Casters



- Steel Net
- Cooling Pad

KEY FEATURES

- Reliable operation
- Cools a large area
- Quiet running
- Adjustable speed
- Automatic swing function – standard.
- Full function remote controller.
- Large water tank for extended time between fills.
- No need for compressed air.
- No installation, no duct work required..
- Easy to use, easy to clean.
- Body is corrosion-proof plastic.
- Easy to maintain.
- Fully portable.
- Can be attached to standard garden hose.
- Time function for auto start or auto stop.

Model	Voltage (V/Hz)	Power (W)	Volume (m ³ /h)	Water Tank (L)	Packing Size (mm)	G.W / N.W (kg)	20GP (Pcs)	40HQ (Pcs)
MNT/505/30F	240/50	550	23000	200	1600*780*1800	138/135	10	30

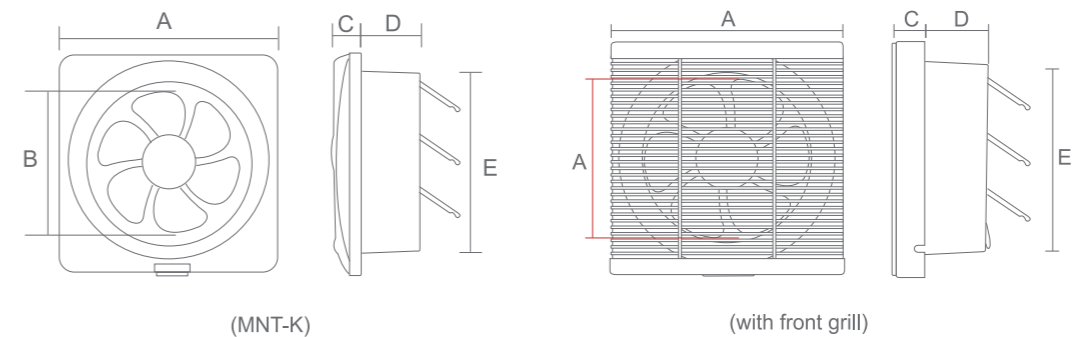
BLDC Household Exhaust Fan

MNT-K Series Product Features:

- BLDC motor: saving 40% to 80% electricity.
- The blades are designed for high air volume and low noise.
- Oil drip tray of front panel is easy to disassemble and easy to clean.
- Automatic stop louvers to keep the fan safety.
- PP material and ABS material for optional.
- The back shutter is plastic. The metal shutter is optional
- LED light with the fan is optional.
- Ideal choice for kitchen, bathroom, bedroom, offices, hotels, stores, restaurants etc, for ventilation and improving environment.



Outline dimensions



Model	Size (inch)	Voltage (V)	Frequency (Hz)	Power (W)	Speed (rpm)	Noise (dB)	Air Volume (m ³ /h)	Product Size (mm)					Weight (Kg)
								A	B	C	D	E	
MNT-K6	6"	220~240	50~60	5	1400	41	241	234	160	32	82	192	1.18
MNT-K8	8"	220~240	50~60	12	1300	43	486	296	200	38	82	242	1.34
MNT-K10	10"	220~240	50~60	16	1250	46	720	338	240	39	82	292	1.58
MNT-K12	12"	220~240	50~60	22	1250	48	1080	388	290	39	85	343	2.02

BLDC Ceiling Mounted Duct Exhaust Fan

MNT-FE & MNT-CF Series Product Features:

- BLDC motor: saving 40% to 80% electricity.
- New PP environmental protection high temperature resistant engineering waterproof plastic material, ABS material is optional.
- Use the air exchange system of vortex type wind wheel, mute optimization.
- The product structure is optimized, the heat dissipation performance of the motor is increased by 60%, better protection and prolong the service life of the motor.
- Ideal choice for kitchen, bathroom, bedroom, offices, hotels, stores, restaurants etc, for ventilation and improving environment.
- MNT-CF series has 2 sizes: 8inch and 10inch.

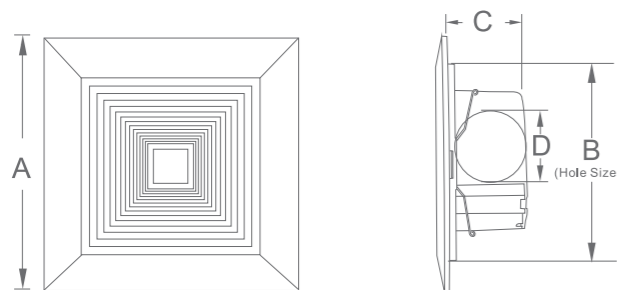


MNT-FE6/8/10/12



MNT-CF8/10

Outline dimensions

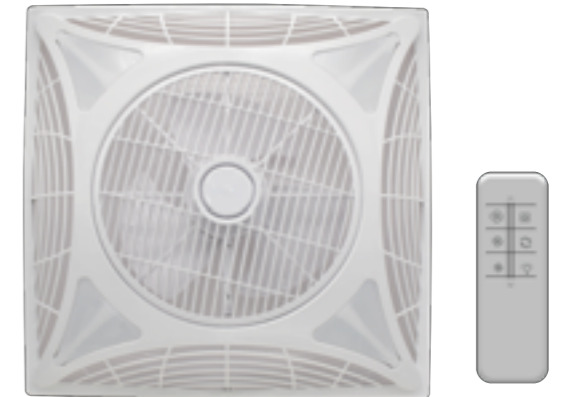


Model	Size (inch)	Voltage (V/Hz)	Power (W)	Speed (rpm)	Noise (dB)	Air Volume (m ³ /h)	Product Size (mm)				Weight (Kg)
							A	B	C	D	
MNT-FE6	6"	220~240/50~60Hz	13	1350	35	120	195	170	124	84	1.0
MNT-FE8	8"	220~240/50~60Hz	14	1250	40	150	242	200	150	94	1.3
MNT-FE10	10"	220~240/50~60Hz	20	1100	46	210	307	247	158	98	1.51
MNT-FE12	12"	220~240/50~60Hz	25	1050	48	300	335	285	158	98	2.55
MNT-CF8	8"	220~240/50~60Hz	14	1250	40	150	242	200	150	94	1.3
MNT-CF10	10"	220~240/50~60Hz	20	1100	46	210	307	247	158	98	1.51

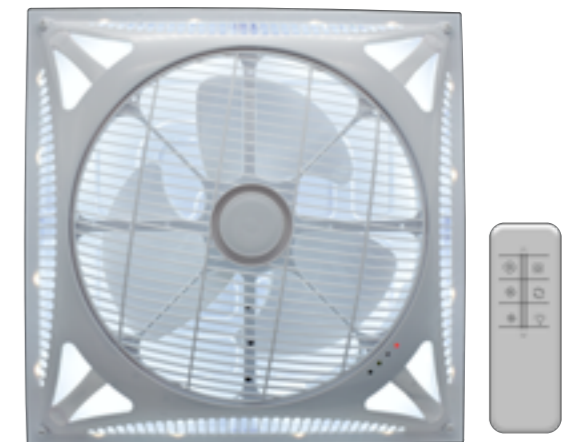
BLDC Household Ceiling Fan

MNT-O Series Product Features:

- BLDC motor: saving 40% to 80% electricity.
- Remote 3-speed control available.
- Integrated ceiling type for easier installation.
- With overheat protection.
- LED light with the fan is optional.

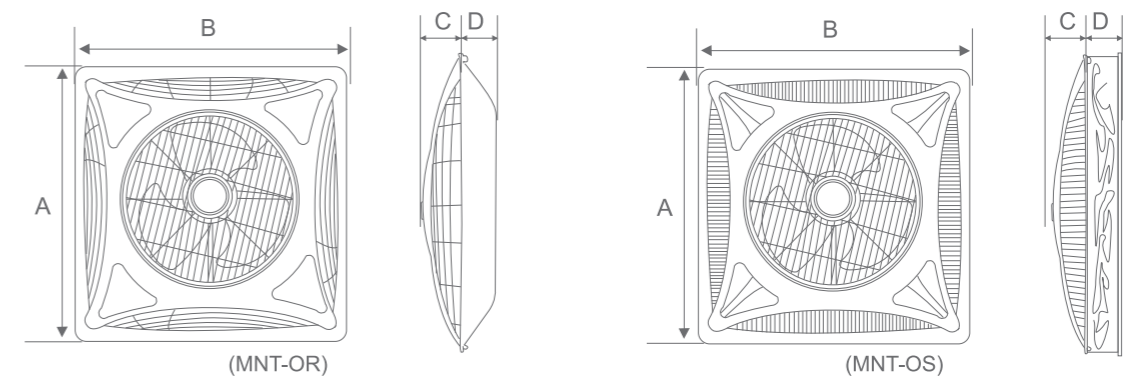


(MNT-OR)



(MNT-OS)

Outline dimensions



Model	Size (inch)	Voltage (V)	Frequency (Hz)	Power (W)	Speed (rpm)	Noise (dB)	Air Volume (m ³ /h)	Product Size (mm)				Weight (Kg)
								A	B	C	D	
MNT-OR14	14"	220~240	50~60	30	900~1200	56	1500	600	600	95	65	3.3
MNT-OS14	14"	220~240	50~60	30	900~1200	56	1500	600	600	95	65	3.3
MNT-OS16	16"	220~240	50~60	30	900~1200	60	1800	600	600	95	65	3.3

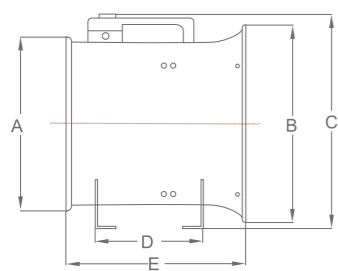
AC Motor Portable Industrial Blower Fan

MNT Series Product Features:

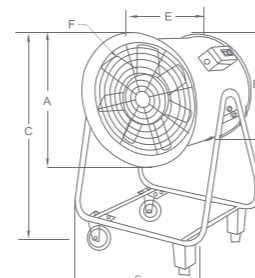
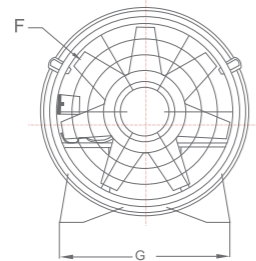
- 100% copper wire motor with double ball bearings.
- The fan adopts special designed aluminium alloy blade.
- The speed is 2800RPM.
- PVC ducting hose is optional.
- Suitable for exhausting gas of the welding workshop, drying the ground after clean and the occasion where the air is not in circulation.



Outline dimensions



(MNT-20,MNT-25,MNT-30,MNT-40,MNT-45)



(MNT-B50,MNT-B60)

Model	Voltage (V)	Frequency (Hz)	Power (W)	Speed (r/min)	Air Volume (m ³ /h)	Product Size (mm)							Weight (kg)
						A	B	C	D	E	F	G	
MNT-20	220	50	230	2800	1500	226	250	315	190	300	200	212	7.5
MNT-25	220	50	320	2800	2580	266	290	355	190	300	240	259	8.8
MNT-30	220	50	520	2800	3900	326	350	410	220	325	285	300	11.6
MNT-35	220	50	750	2800	4920	384	400	434	260	380	350	375	19.0
MNT-40	220	50	1100	2800	5760	434	450	484	285	400	400	412	24
MNT-45	220	50	1500	2800	9720	484	500	534	335	450	450	462	29
MNT-B50	220	50	2000	2800	12000	534	550	700	/	500	500	635	33
MNT-B60	220	50	2200	1400	17400	634	650	765	/	600	600	745	50

Retardant Fabric Air Duct

MNT Series Product Features:

- Tear acid,corrosion resistance,waterproof,fire retardant, heat-resisting,cold tolerance.
- Flexibility,free connection,light weight;easy to carry.
- Environmental non-toxic,no smell,no dust,no fiber.
- Lateral seamless duct,no leakage,wear-resistant,wind resistance,compressive strength.
- Cloth thickness 0.38mm,the main color is orange. Other colors:gray,white,blue,red,black,green,etc.
- Diameter 6" - 24" (150mm-600mm),Standard length 5m or 10m (requirement accept upon further request).
- Temperature:-20°C to+ 100°C
- The spacing and thickness of spiral steel rings are proportional to the diameter of air duct.
- The pipe body has a type D hanger at a distance of about 1.6m for hanging and fixing the air duct.
- The head is equipped with expanded horn with PP rope, which can be used to extend the connection between the sleeve fan or the air duct (if long-term connection is needed, the zipper connection can be customized).

Application:

- Ship repair,shipbuilding,engineering,tunneling,mining ventilation,pumping methane gas,the engine room,municipal pipeline project,basements,under-ground work dust and transporting fresh air,pumping car exhaust;
- Airport boarding bridges air supply and exhaust air ventilation, fire smoke,and other harsh environments,in addition to dust collection purposes.
- The products are exported to foreign markets annually,has been recognized by our customers.



FLEXIBLE DUCT OPERATION



Technical Data	
Model	MAH
diameter(Φ)	6" 8" 10" 12" 14" 16" 18" 20" 22" 24"
Air Velocity	30m/s (max)
Temperature Rang	-20°C to +100°C
Operating Pressure	6000Pa (max)
Fire Resistance	Yes
Standard Length	5m & 10m